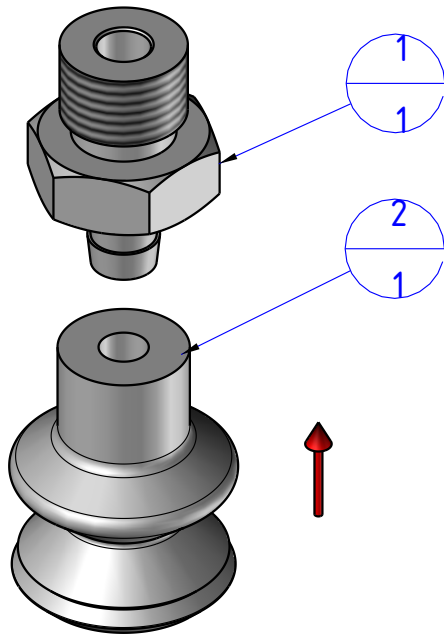
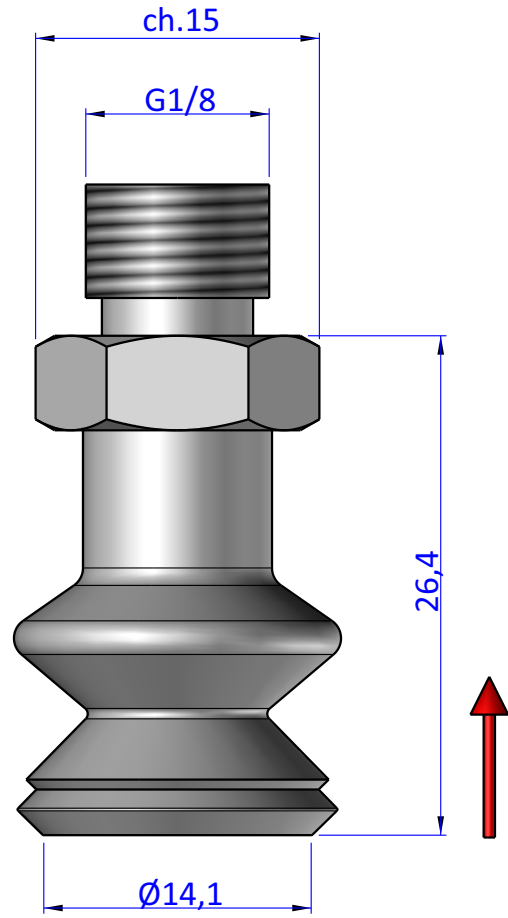


THE PROPERTY OF THE DRAWING IS ESTABLISHED BY LAW. IT IS FORBIDDEN TO PRODUCE OR SHOW IT TO THIRD PART. WITHOUT A WRITTEN AGREEMENT.

| Item | Name            | Q.ty |
|------|-----------------|------|
| 1    | CA.08.09.009    | 1    |
| 2    | CA.08.26.D16.AS | 1    |



|                |        |
|----------------|--------|
| DESIGNED FROM  | REVIEW |
| FPS Automation | A      |

|            |         |
|------------|---------|
| DATE       | WEIGHT  |
| 04/11/2020 | 0,003kg |

|                 |
|-----------------|
| CODE            |
| KIT.08.26.D16.9 |

Format A4  
UNI 936-76

GENERAL TOLERANCE  
UNI - ISO 2768  
CLASSE f

DESCRIPTION  
KIT.08.26.D16.9